

# U-Board



## U-Board Laminated paper packaging

### Maximizes Protection

Prevents product damage throughout the transportation cycle

### Application Versatility

Smooth surface and interior along with optional protective coatings for different product applications

### Ensures Quick Assembly

Eliminates pre-bending to save time

### Highly Sustainable

Manufactured with 100% recyclable material and is easily disposable

# U-Board

## Laminated paper packaging



U-Board laminated paperboard packaging provides superior edge protection to prevent product damage that can occur during shipping and handling. With a smooth surface and interior that is non-abrasive, U-Board can be used inside or outside of a carton for product unitization and stabilization as well as provide additional beam strength to ensure product stability and stacking strength.

### Features and benefits

#### Streamlines use

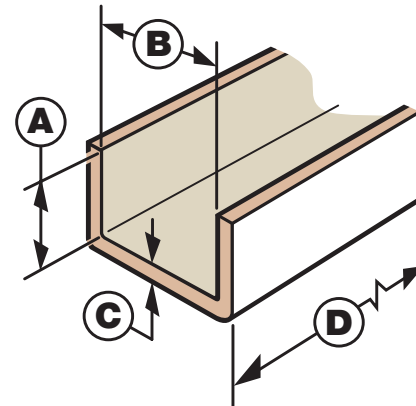
U-Board's rigid u-channel construction eliminates any added assembly time, creating a simple, yet durable and more efficient way to protect products.

#### Application flexibility

From custom mitering to specialized coatings, U-Board can be tailored to individual product packaging requirements. For those products exposed to humidity or condensation, U-Board can be treated with a protective coating to ensure moisture resistance and corrosion protection, providing package durability throughout the transportation cycle.

#### Enables branding

U-Board can be custom printed, enabling branding, product identification and point-of-sale merchandising.



U-Board Technical Specifications

Size	Leg A	Width B	Thickness C	Compression Strength
	(mm)	(mm)	(mm)	(N)
5 x 5 x 5 x 4	127	127	4	960
6 x 8 x 6 x 4	152.4	203.2	4	1210
5 x 6 x 5 x 6	127	152.4	6	1229
6 x 6 x 6 x 5	152.4	152.4	5	1250
6 x 6 x 6 x 6	152.4	152.4	6	1310
8.5 x 6 x 8.5 x 4	215.9	152.4	4	1390
8 x 8 x 8 x 6	203.2	203.2	6	1750
8 x 10 x 8 x 6	152.4	254	6	1890
6 x 12 x 6 x 5	152.4	304.8	5	2481

1. Tolerance: Leg Length  $\pm 10.0\text{mm}$ , Thickness  $\pm 0.5\text{mm}$ ; Cut Length  $\pm 5\text{mm}$ , Leg Angle:  $\pm 10^\circ$   
 2. Length D – Up to 6 metres.