

Reddi-Crate



Reddi-Crate Laminated paper packaging

Reliable Performance

Superior strength offers protection throughout shipping and handling

Cost-effective Solution

Excellent replacement for traditional flat products and wooden crates

Application Versatility

Available with protective coatings for moisture resistance and corrosion protection

Highly Sustainable

Manufactured with 100% recyclable material and is easily disposable

Reddi-Crate

Laminated paper packaging



Reddi-Crate laminated paperboard packaging helps prevent product damage that can occur during shipping and handling. With a smooth surface and interior that is non-abrasive to products, Reddi-Crate can be used inside or outside a carton for product unitization and edge protection or helps to provide additional beam strength.

Features and benefits

■ Simplifies use

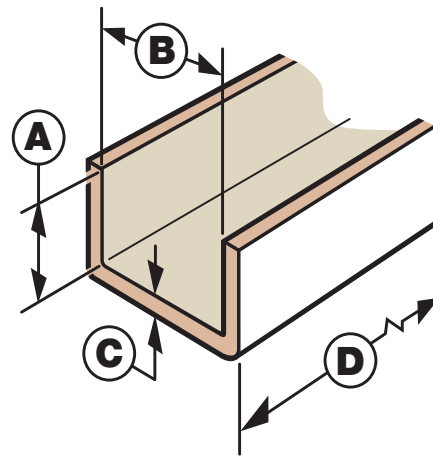
Reddi-Crate's preformed profiles and two end closures form a shipping container that provides superior strength and protection throughout the transportation cycle.

■ Application flexibility

Unlike traditional flat products, Reddi-Crate ensures maximum product protection for a wide range of products. It can be treated with protective coatings to provide moisture resistance and corrosion protection for those products exposed to humidity, condensation and other environmental conditions.

■ Enables product marketing

Reddi-Crate can be printed, allowing for branding, product identification and point-of-sale merchandising.



Reddi-Crate Technical Specifications

Size	Leg A	Width B	Thickness C	Compression Strength*
	(mm)	(mm)	(mm)	(N)
5 x 5 x 5 x 4	127	127	4	960
6 x 8 x 6 x 4	152.4	203.2	4	1210
5 x 6 x 5 x 6	127	152.4	6	1229
6 x 6 x 6 x 5	152.4	152.4	5	1250
6 x 6 x 6 x 6	152.4	152.4	6	1310
8.5 x 6 x 8.5 x 4	215.9	152.4	4	1390
8 x 8 x 8 x 6	203.2	203.2	6	1750
8 x 10 x 8 x 6	152.4	254	6	1890
6 x 12 x 6 x 5	152.4	304.8	5	2481

*This is for single piece U-Board

1. Tolerance: Leg Length $\pm 10.0\text{mm}$, Thickness $\pm 0.5\text{mm}$; Cut Length $\pm 5\text{mm}$, Leg Angle: $\pm 10^\circ$
2. Length D - Up to 6 metres.

The company reserves the right to make technical alterations without prior notification.
 © 2020 Signode Industrial Group LLC / SIG-22 REV 200207 / www.Signode.com
 For any queries, please contact us at info.india@signode.com